



High steel sled base stool Supportstool

236 usd

- Our most popular range, we have already produced 600 units.
- The intricate weave of lines that creates a strong construction separates it from hundreds of ordinary chairs.
- Winner of the DESIGN AND DESIGN INTERNATIONAL AWARD Paris, France, 2016.
- Designed and manufactured in Ukraine, with love!

Supportstool is the continuation of the popular range of bar stools, a charismatic piece with a memorable appearance and an unusual graphic structure of the frame. The dynamic lines of the improvised legs give the stool the Wow-effect that is so essential for today's memorable interiors.

Designer: Sergei Lvov

Year of creation: 2015

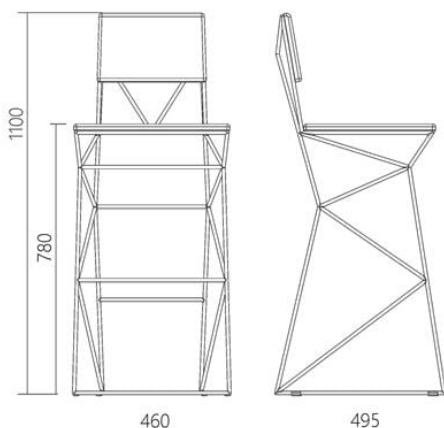
Height: 1100 mm

Width: 460 mm

Depth: 495 mm

Materials and instructions

Frame: sled base in 10 mm steel rod, powder coating, floor protection pads, brass hallmark of authenticity. Seat: solid ash wood. Coatings and finishes: OSMO hardwax-oil (Germany); KEMICAL polyurethane enamel for wood (Italy). Surface: silky matt.



supportstool

Package information

Reliable cardboard packaging. Package quantity: 1 piece. 480x510x1120 mm. Weight: 11 kg. The product is assembled.

