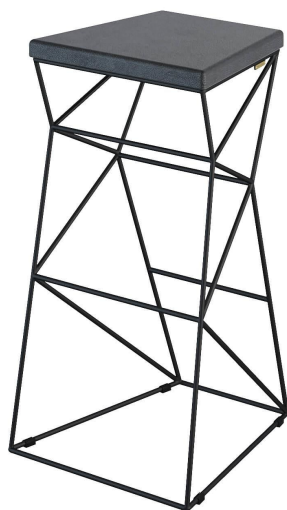


High sled base leather stool Support

258 usd



- Our most popular range, we have already produced 600 units.
- The intricate weave of lines that creates a strong construction separates it from hundreds of ordinary chairs.
- Winner of the DESIGN AND DESIGN INTERNATIONAL AWARD Paris, France, 2016.
- Exhibited at the exhibitions Barcelona Design Week, KIFF, Design Living Tendency, INTERIOR MEBEL, Warsaw Home.
- Designed and manufactured in Ukraine, with love!

A natural evolution of the popular chair series with an upholstered leather seat. Support is a charismatic piece with a memorable appearance and an unusual graphic structure of the frame. The dynamic lines of the improvised legs create for it that Wow-effect, which is so necessary for modern memorable interiors.

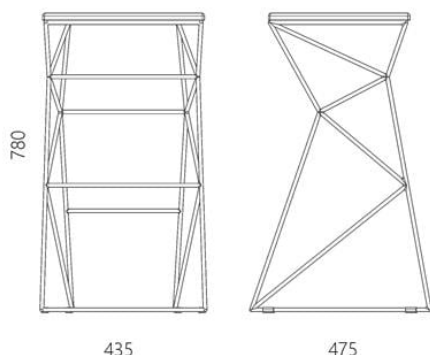
Designer: Sergei Lvov

Year of creation: 2013

Height: 790 mm

Width: 435 mm

Depth: 475 mm



Materials and instructions

Frame: sled base in 10 mm steel rod, powder coating, floor protection pads, brass hallmark of authenticity. Seat: black leather. Padding: polyurethane covered with lining.

support

Package information

Reliable cardboard packaging. Package quantity: 1 piece. 480x510x800 mm. Weight: 9 kg. The product is assembled.

