

Serving trolley Servisto

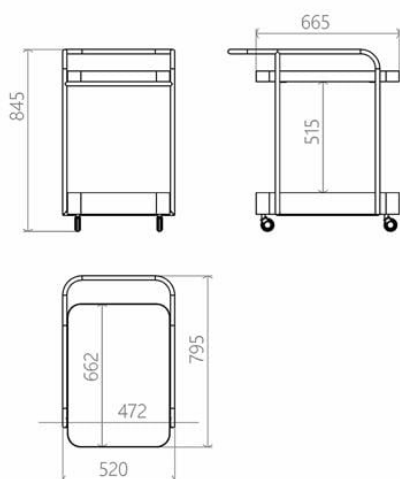
635 usd



- This atmospheric dining room item makes special moments even more memorable: weekend breakfasts, Friday night cocktails or romantic candlelit dinners.
- On request, a removable tray with hinged legs can be produced, as well as a company name.
- Designed and manufactured in Ukraine, with love!

Servisto is a modern serving table on wheels inspired by mid-century vintage furniture. The laconic design with flowing curved lines takes us back to formal dinners à la buffet and cocktail parties of the 1950s. It acts as an attendant to welcome guests and serve hors d'oeuvres to assist the hosts. This is reflected in the name: Servisto from Esperanto for "servant".

The two-deck bar trolley has two pairs of wheels and a handy handle that make it mobile, helping it to be transported safely. It is equipped with wooden shelves-shelves arranged on a curved frame. The top shelf is ideal for serving food and preparing drinks, while the bottom shelf is perfect for storing crockery and cutlery, with a separate bottle niche. The shelves also have a sleek metal edge, for protection against falls. Servisto is suitable for hosting guests at home and for the hospitality sector. A removable breakfast tray with hinged legs is available on request and can be labelled with your company name.



Servisto

Designer: Sergei Lvov
Year of creation: 2022

Height: 845 mm
Depth: 795 mm
Width: 520 mm

Materials and instructions

Frame: steel pipe 16 mm, steel sheet, powder painting, brass hallmark of authenticity, wheels. Shelf surface: veneered MDF board 10 mm. Coatings and finishes: OSMO hardwax-oil (Germany); KEMICAL polyurethane enamel for wood (Italy). Surface: silky matt.

Package information

Reliable cardboard packaging. Package quantity: 1 piece. 850x560x900 mm. Weight: 22 kg. The product is assembled.

