

High metal stool Maraba 78 cm

216 usd



The Maraba bar stool embodies the concept of easy and carefree living, inspired by the atmosphere of family bars in provincial Italian towns. The name Maraba perfectly captures this idea, being an abbreviation of the Italian phrase *la mano che raggiunge la barra* (the hand reaching out to the bar). The design of the stool's footrest features a bent tube that resembles the curve of a hand, adding an element of playfulness and dynamism to its appearance. Maraba invites you to an Italian aperitif, telling the story of a carefree pastime.

Technically, Maraba is made up of a sturdy tube of two diameters and a steel plate in the base, ensuring its durability and stability. These materials are not only reliable but also aesthetically pleasing, adding an industrial touch. Its simplicity and functionality combined with its original design make it a great choice for bars and modern living spaces.

Designer: Sergei Lvov

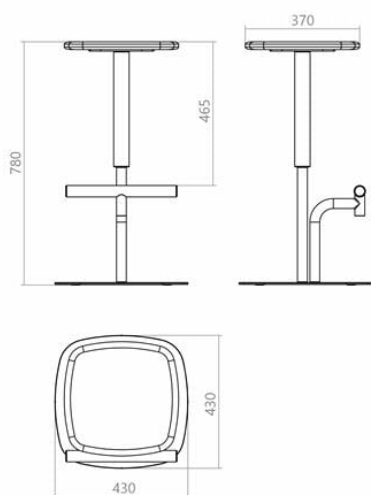
Year of creation: 2024

Width: 430 mm

Depth: 430 mm

Materials and instructions

Frame: steel tube 50 and 30 mm, 8 mm steel base, powder coating, floor protection pads, brass hallmark of authenticity. Seat: upholstered with fabric or eco-leather, recycled HDPE plastic, solid ash wood. Stainless steel footrest.



Package information

Reliable cardboard packaging. Package quantity: 1 piece. 450x450x800 mm. Weight: 10 kg. The product is assembled.

