

Metal wall art Trophy

170 usd

- One of the first pieces in a recognisable geometric design.
- It takes our welder seven metres of steel rod and four hours of continuous work to hand-assemble it for you.
- Exhibited at Design Living Tendency, Warsaw Home.
- Designed and manufactured in Ukraine, with love!

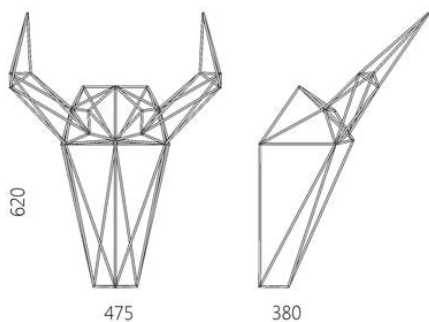
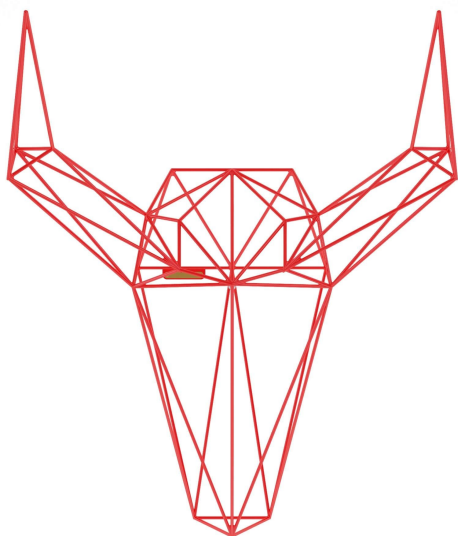
Trophy is a fun geometric fantasy. It can be integrated into the workspace, stimulating the imagination and bringing an element of play to the business day. Trophy can be used as a hanger: placing clothes "on the horns of the bull". But be careful with the red colour, it is a bull after all..

Designer: Sergei Lvov
Year of creation: 2013

Height: 620 mm
Width: 475 mm
Depth: 380 mm

Materials and instructions

Frame: steel rod, powder coating, brass hallmark of authenticity, fixing kit.



trophy

Package information

Reliable cardboard packaging. Package quantity: 1 pc. 500x410x650 mm. Weight: 2 kg. Requires assembling.

