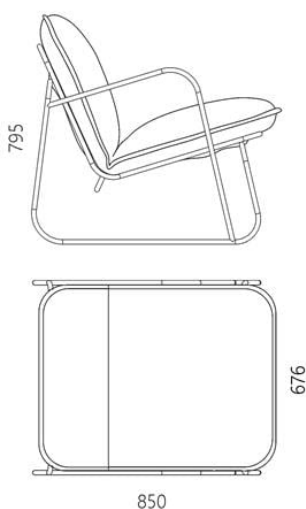


## Upholstered fabric armchair Monteur boucler

11 490 грн



tuttu

- The updated version is made of textured bouclé fabric with a voluminous knotted surface.
- Winner of the European Product Design Award 2023.
- Winner of the Portuguese design award LOOP Design Awards 2023.
- Winner of the American IDA Design Award 2022 Silver.
- Has a backrest angle - according to Alvar Aalto's 1931 Ergonomic Seating Types.
- Exhibited at the international exhibitions Maison&Objet, Barcelona Design Week, Warsaw Home&Contract, KIFF.
- Published in the book PRODUCT DESIGN in Ukraine - the best Ukrainian interior items for 5 years.

Updated version of the Monteur armchair with an outer cover made of textured bouclé fabric with a voluminous knotted surface. Interchangeable upholstered parts have made it possible to create a family of modular armchairs united by a friendly design. The armchair takes its name from the French word editor. Inspired by a person who thoughtfully cuts away the superfluous, leaving the very essence. Monteur has come to epitomise this craft, with its concise appearance and meticulous detailing. It is characterised by the rounded and harmonious shapes of the seat and backrest, set on a versatile steel frame. And the smooth cant line outlining the silhouette emphasises its clean image. The upholstered part has a removable outer cover with two separate sections for inner cushions. It is quickly attached to the frame with convenient Velcro fasteners. The filling consists of a combination of polyurethane foam, the main cushioning material, and felt padding for elasticity. This has given the seat extra comfort and stability for years of use. The armchair is ideal for laconic interiors in Scandinavian and eco-style. It can be used for home environments as well as more formal spaces and lounges. Monteur boucler is easy to personalise, thanks to the interior textile palette of 20 shades.

### Package information

Reliable cardboard packaging. Package quantity: 1 piece. 820x700x870 mm. Weight: 14 kg. The product is assembled.

Designer: Sergei Lvov

Year of creation: 2022

Height: 795 mm

Width: 676 mm

Depth: 850 mm

### Materials and instructions

Frame: 16 mm steel tube, powder-coated, pads floor protectors.

Upholstery: Toptextil Baloo, Fabric lab Boucle. Padding: polyurethane covered with lining.

