



Low rectangular coffee table Quarz

15 435 грн

- We use traditional carpentry skills with artistic selection of wood grain and seamless gluing of lamellas on microship.
- Individual wood tinting or painting according to the RAL and NCS palette in the shade/colour you need is possible.
- Designed and manufactured in Ukraine, with love!

The Quarz coffee table is characterised by strict edges and intricate geometric elements. It is an interpretation of a natural form. The table is inspired by the mineral of the same name. The clusters of its crystals give rise to the chaotic structure of the base table, made up of prisms and pyramids. The image is completed by the sharp edges of the rectangular table top. The oil-tinted finish retains the sprawling wood grain. The total black finish reveals the deep texture of the surface.

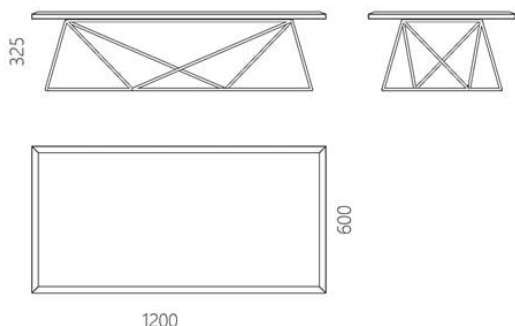
Designer: Sergei Lvov

Year of creation: 2017

Height: 350 mm

Depth: 1200 mm

Width: 600 mm



Materials and instructions

Frame: steel rod, powder coating, floor protection pads, brass hallmark of authenticity. Tabletop: solid ash wood 30 mm (oak available on request). Coatings and finishes: OSMO hardwax-oil (Germany); KEMICAL polyurethane enamel for wood (Italy). Surface: silky matt.

Журнальный стол LDZ-012

Package information

Reliable cardboard packaging. Package quantity: 1 pc. 1230x620x380 mm. Weight: 21 kg. The product is assembled.

