



Steel chair Supportchair

13 550 грн

- Our most popular range, we have already produced 600 units.
- The intricate weave of lines, creating a strong structure, separates it from hundreds of ordinary chairs.
- Exhibited at Design Living Tendency, PROSTONEBA architecture festival.
- Designed and made in Ukraine, with love!

Supportchair is the continuation of the popular Support chair range, in the classic height for dining tables. It is a charismatic piece with a memorable appearance and an unusual graphic structure of the frame. The dynamic lines of the improvised legs create for it that Wow-effect, which is so necessary for modern memorable interiors.

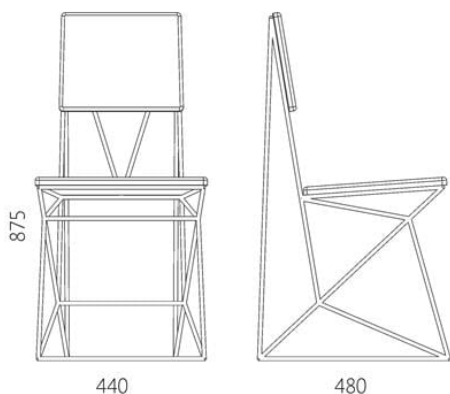
Designer: Sergei Lvov

Year of creation: 2016

Height: 875 mm

Width: 440 mm

Depth: 480 mm



Materials and instructions

Frame: sled base in 10 mm steel rod, powder coating, floor protection pads, brass hallmark of authenticity. Seat: solid ash wood. Coatings and finishes: OSMO hardwax-oil (Germany); KEMICAL polyurethane enamel for wood (Italy). Surface: silky matt.

supportchair

Package information

Reliable cardboard packaging. Package quantity: 1 piece. 460x500x900 mm. Weight: 11 kg. The product is assembled.

