

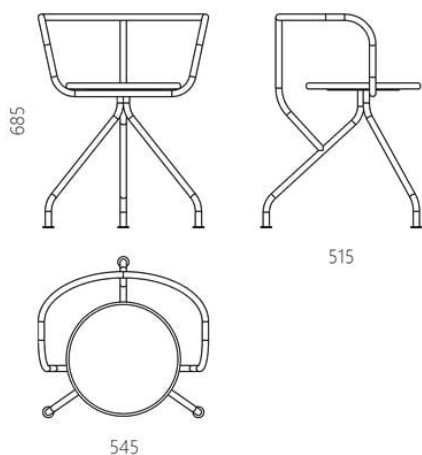
## Recycled metal chair Kohti

11 970 грн



- It has a bold, informal design, with a seat made of recycled plastic.
- Winner of the American IDA Award 2022 Silver, in the category Design For Society Eco-Sustainable Design.
- Published in magazines: Domus (Italy), Design Anthology (Australia), Furniture News (UK), Hospitality design (USA), CASA E JARDIM (Brazil), ICFE (USA), PIn design (Poland).
- Designed and manufactured in Ukraine, with love!

Kohti has an elegant silhouette with a small back rest that flows seamlessly into the armrests. The sleek lines and smooth joints of the frame are made of powder-coated steel tubing. It adapts to a variety of interiors thanks to its attractive simplicity, versatility, and durability. To create it, we have drawn on all the design expertise and attention to detail inherited from already realised products. The stool expresses the art of transforming the surrounding objects, thanks to a seat made of recycled materials. Inviting to an ecological future that values new, meaningful products with recycled materials, maintaining harmony with the world around us. The name (from the Finnish "towards") metaphorically plays on the dialogue between two opposing sides about overproduction. Leading to the idea of a simultaneous counter-movement: trying to preserve the environment, but also to change with it. It's impossible to plug the world in an unchanging state. The future will come anyway. Then let's make it beautiful!



kohti

### Package information

Reliable cardboard packaging. Package quantity: 1 piece. 550x530x700 mm. Weight: 6 kg. The product is assembled.

The seat made of recycled plastic was created for us by Precious plastic Ukraine workshop in Odessa. The 20 mm thick canvas is made of recycled HDPE polyethylene, the raw material for which is used white and black shampoo bottles. This is a super material not only because of its recyclability, but also because of its functional properties: it is non-toxic, resistant to solar UV radiation, withstands low temperatures, is not afraid of water, acids and alkalis. For its manufacture, to begin with, bottles are collected, washed, sorted and crushed by special shredders. After that, the granules required by colour are mixed and subjected to heating and compression under pressure, obtaining a smooth plate. Once the plastic has solidified, the product is cut to the desired shape on a CNC machine, and voila, the seat is ready!

Designer: Sergei Lvov  
Year of creation: 2021

Height: 685 mm  
Width: 545 mm  
Depth: 515 mm

### Materials and instructions

Frame: 20 mm steel tube, powder coating, floor protection pads, brass hallmark of authenticity. Seat: 20 mm recycled HDPE plastic.

